

## INSTALLATION INSTRUCTIONS

DESCRIPTION: Visor Kit  
PART NUMBER: BAT-F83M0-V0  
MODEL: 2021+ MT-07



### ⚠ WARNING

Please read and understand these instructions completely before installation to avoid possible injury, or damage to the accessory or vehicle.

### NOTICE:

Installation of this kit requires a torque wrench and should be performed by an authorized Yamaha dealer or a qualified mechanic.

### WARRANTY INFORMATION:

In the United States, see your Yamaha dealer for a copy of the Yamaha Genuine Parts and Accessories Limited Warranty.

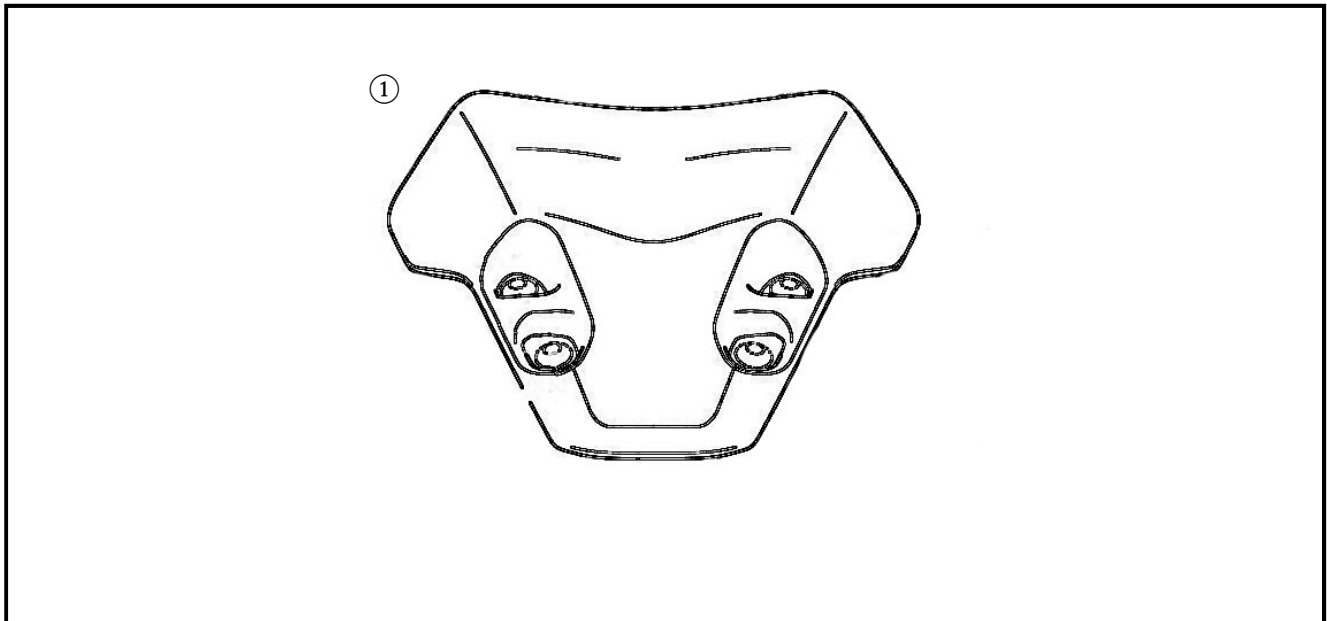
### DEALER OR INSTALLER:

These instructions contain important information for future reference and *must* be given to the customer.

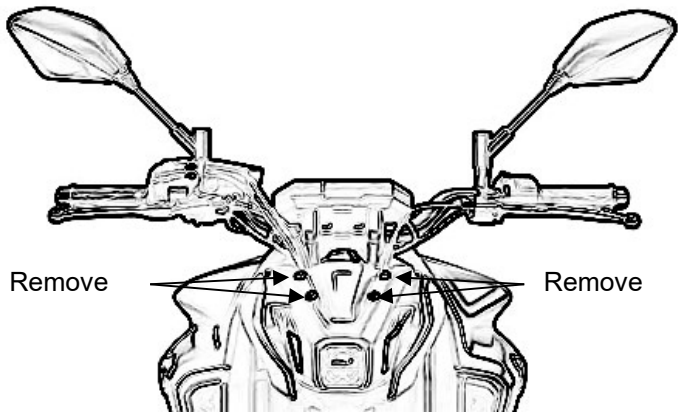
### PARTS LIST:

No.	Part Number	Description	Qty
--	BAT-F83M0-V0	Visor Kit	--
①	*	Visor	1

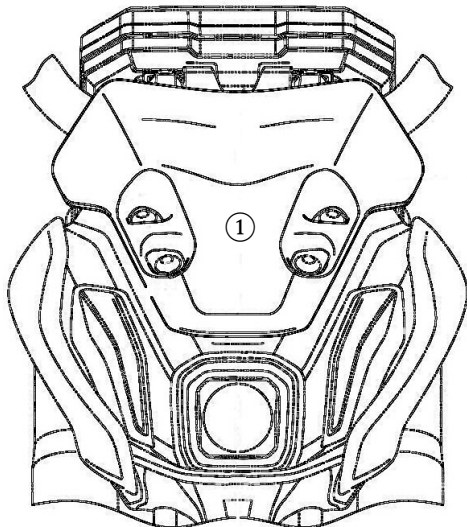
\* Part supplied with kit only and not available separately.



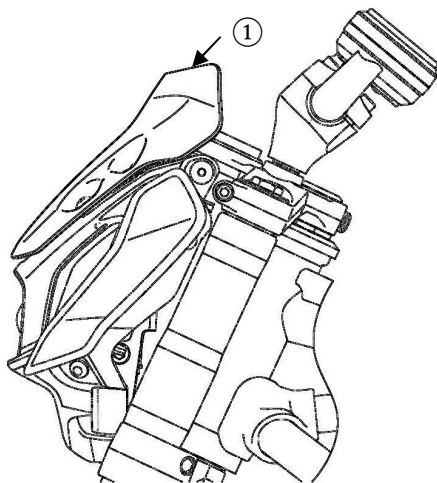
**Fig. 1**



**Fig. 2**



**Fig. 3**



**PREPARATION:**

- Place the motorcycle on a secure and level surface.
- Clean the mounting surfaces before beginning installation.

**INSTALLATION:**

1. Remove the stock hardware from the headlight housing. The hardware will be reused to attach the ① Visor to this location. (Fig. 1)
2. Align the ① Visor on the headlight housing.
3. Thread in the stock hardware and torque to 1.0 Nm (0.1 m – kg or 0.7 lb-ft).

**MAINTENANCE:**

Periodically, check torque on all hardware. If loose hardware is found, re-torque to specification.

**CARE AND CLEANING:**

Clean the windshield with a cloth or sponge dampened with a neutral detergent, and after cleaning, thoroughly wash it off with water. For additional cleaning, use Yamalube® Windshield & Visor Plastic Cleaner & Conditioner (ACC-PLASP-OL-11).

**NOTICE:**

- Avoid using any alkaline or strong acid cleaner, gasoline, brake fluid, or any other solvent.
- Some cleaning compounds for plastics may leave scratches on surfaces of the windshield. Before using them, test by polishing an area which does not affect your visibility.

**CUSTOMER SERVICE:**

For further information see your Yamaha dealer.

**ESTIMATED TIME TO INSTALL: 0.25 HRS**